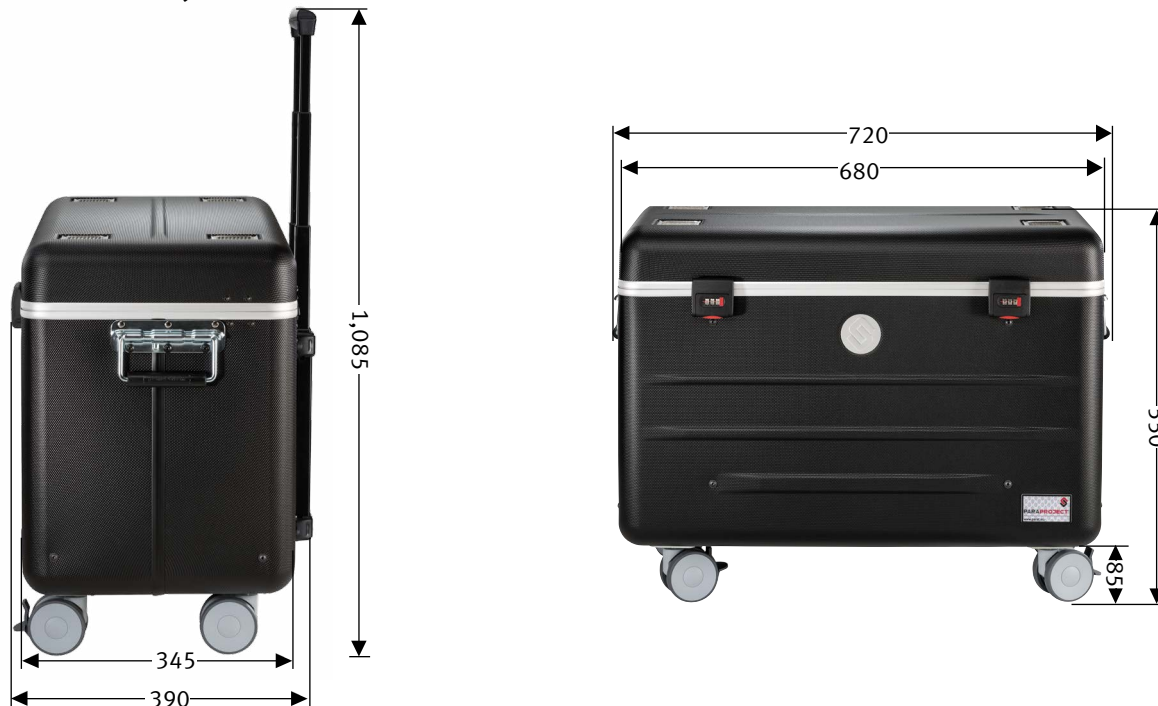


PARAPROJECT® CASE N10

CHARGE, TRANSPORT & PROTECT



dimensions in mm

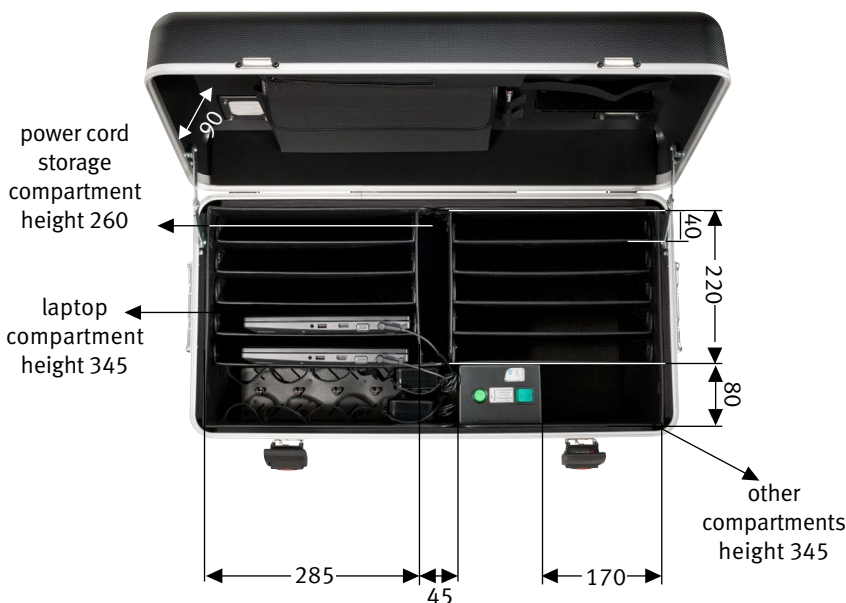
description	PARAPROJECT® CASE N10 for laptops up to 15.6"; black	
part number	EU version: 208.420-151	CH version: 208.421-151
GTIN / EAN	4006793806917	4006793000292
field of application	education, health care	
certificates	CE / RoHS / REACH	
applicable standards	DIN EN 60950-1 / DIN EN 55022 / DIN EN 55024	
scope of delivery	<ul style="list-style-type: none"> - 1x device connection cable EU, length: 5 m - 5x y-adapter with 2x Euro-8 socket (C7, 2-pin) - 5x y-adapter with 2x IBM terminal (C5, 3-pin) - 1x user guide for combination lock 	<ul style="list-style-type: none"> - 1x device connection cable CH, length: 5 m - 5x y-adapter with 2x Euro-8 socket (C7, 2-pin) - 5x y-adapter with 2x IBM terminal (C5, 3-pin) - 1x user guide for combination lock
materials	<ul style="list-style-type: none"> - outer shell made from impact-resistant rubberized X-ABS plastic with a wall thickness of 3 mm, black - circumferential aluminum frame on lid and body - pockets made from „Con-Pearl®“ material - bottom tray of the case is fully lined with foam material 	
transport	<ul style="list-style-type: none"> - 4x smooth-running ball bearings (with 2 lockable castors) - telescopic handle, 4-fold - carrying handles on both sides 	
external dimensions	width 720 x depth 390 x height 550 mm	
empty weight	14.75 kg	
shipping weight	17.25 kg	
transport dimensions	width 760 x depth 420 x height 570 mm	
number of euro-pallets	6	
dimensions of euro-pallet	width 1,200 x depth 800 x height 1,860 mm	
customs tariff no.	42021250	
country of origin	EU	

PARAPROJECT® CASE N10

CHARGE, TRANSPORT & PROTECT

equipment	- case lid: with diverse pockets and compartments and additional storage for access point - body: 10x storage compartment for laptops up to 15.6", storage for a total of 10x original power units to charge the notebooks, internal timer to set charge time limit and separate port for access point - additionally: air vents in the lid and bottom tray ensure optimum air circulation
compatible devices	ultrabooks / chromebooks / laptops
max. number of devices	10
operating system	Windows / Chrome OS / macOS
Screen size	up to 15.6"
cable types for equipment	- 5x IBM socket (C5, 3-pin) - y-adapter with Euro-8 socket (C7, 2-pin) or IBM socket (C5, 3-pin)
power supply	use of customer's own power supply units
output power per port	width 170 x depth 65 x height 35 mm
optional accessories	max. 2.5 A
locking system	y-adapter with 2x Euro flat plugs
connections	combination lock
data of currents	outside: - central power supply with protective cap inside: - 5x IBM port (C5, 3-pin) - 1x CH socket
dimensions of pockets	- 100 - 240 V - max. 10 A - 50/60 Hz
dimensions of laptop compartment	width 285 x depth 40 x height 345 mm
power cord storage compartment	width 45 x depth 220 x height 260 mm
dimensions of other compartments	width 170 x depth 80 x height 345 mm

dimensions in mm



10x storage compartment for laptops up to 15.6"



Charge (Switch On/Off)



central power supply with protective cap