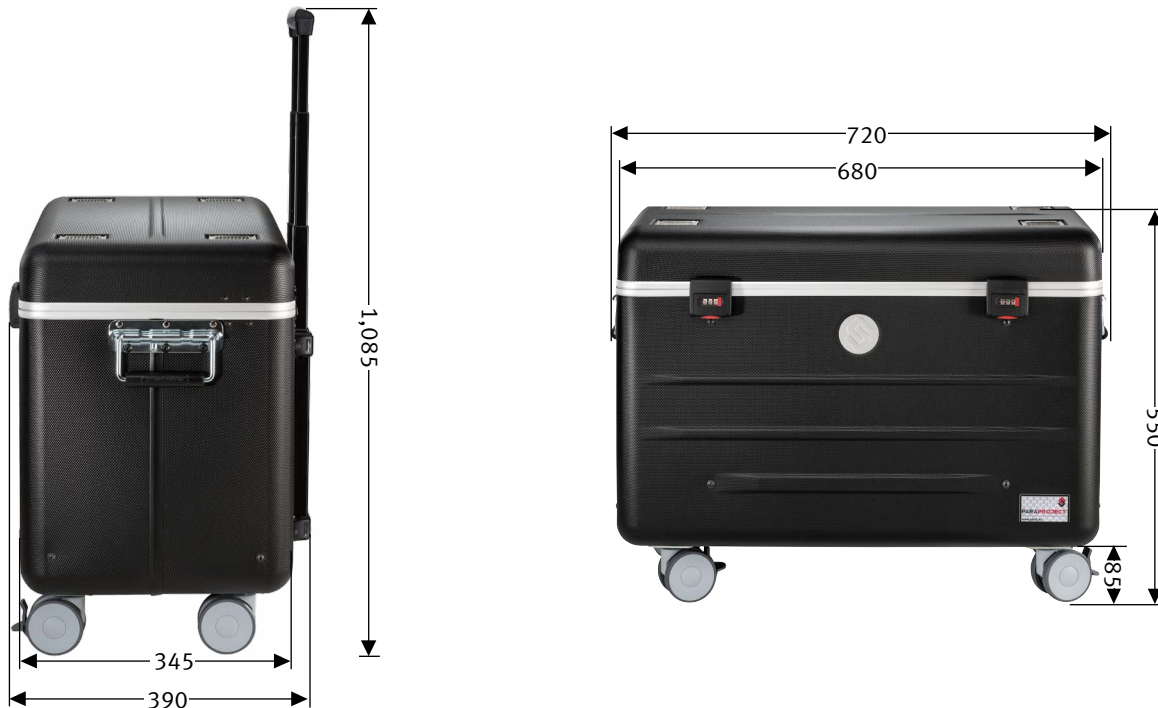


PARAPROJECT® CASE A16

CHARGE, SYNC, TRANSPORT & PROTECT



dimensions in mm

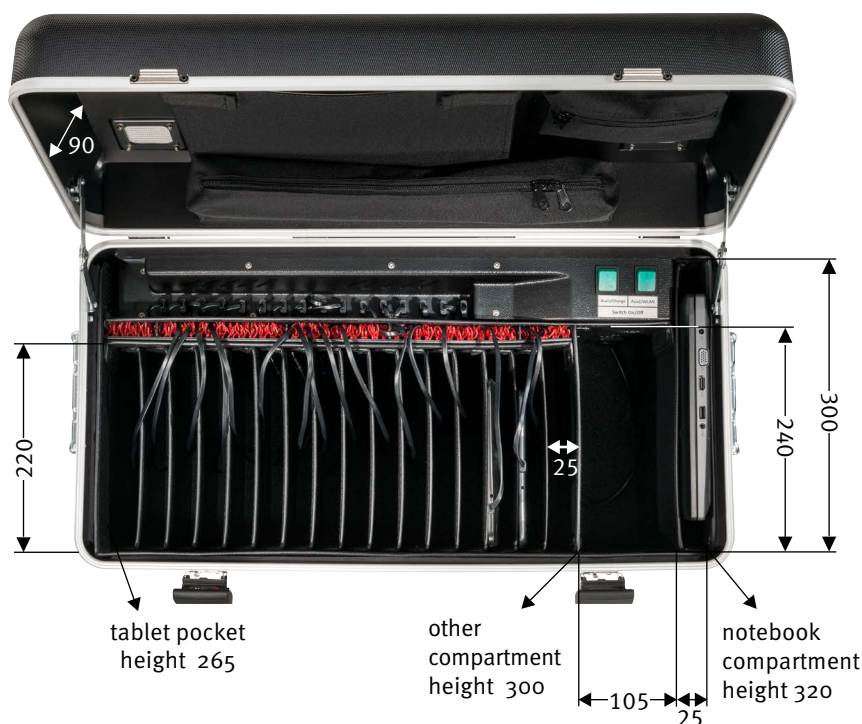
description	PARAPROJECT® CASE A16 for tablets; incl. USB type C™ cable; black	
part number	EU Version: 208.603-151	CH Version: 208.660-151
GTIN / EAN	4006793939912	4006793953918
field of application	education, health care	
certificates	CE / RoHS / REACH	
applicable standards	DIN EN 60950-1 / DIN EN 55022 / DIN EN 55024	
scope of delivery	<ul style="list-style-type: none"> - 16x USB data and charging cable (type C) - 1x device connection cable EU, length: 5 m - 1x USB connection cable, length: 3 m - 1x external weekly timer - 1x y-adaptor with 1x IBM socket (C5, 3-pin) and 1x Euro-8 socket (C7, 2-pin) - 1x y-adaptor with 1x Euro flat plug (2-pin) and 1x Euro-8 socket (C7, 2-pin) - 1x user guide for combination lock 	<ul style="list-style-type: none"> - 16x USB data and charging cable (type C) - 1x device connection cable CH, length: 5 m - 1x USB connection cable, length: 3 m - 1x y-adaptor with 1x IBM socket (C5, 3-pin) and 1x Euro-8 socket (C7, 2-pin) - 1x y-adaptor with 1x Euro flat plug (2-pin) and 1x Euro-8 socket (C7, 2-pin) - 1x user guide for combination lock
materials	<ul style="list-style-type: none"> - outer shell made from impact-resistant rubberized X-ABS plastic with a wall thickness of 3 mm, black - circumferential aluminum frame on lid and body - pockets made from „Con-Pearl®“ material - bottom tray of the case is fully lined with foam material 	
transport	<ul style="list-style-type: none"> - 4x smooth-running ball bearings (with 2 lockable castors) - telescopic handle, 4-fold - carrying handles on both sides 	
external dimensions	width 720 x depth 390 x height 550 mm	
empty weight	16.25 kg	
shipping weight	18.75 kg	
transport dimensions	width 760 x depth 420 x height 570 mm	
number of euro-pallets	6	
dimensions of euro-pallet	width 1,200 x depth 800 x height 1,860 mm	
customs tariff no.	42021250	
country of origin	EU	

PARAPROJECT® CASE A16

CHARGE, SYNC TRANSPORT & PROTECT

equipment	<ul style="list-style-type: none"> - case lid: with diverse pockets and compartments - case body: sync and charging unit, 16 pockets for tablets, storage compartment for master laptop and pockets for accessories such as access point and router - additionally: air vents in the lid and bottom tray ensure optimum air circulation
compatible devices	all tablets with USB type-C connection
max. number of devices	16
operating system	Android / Win10
Screen size	up to 10"
cable types for equipment	USB data and charging cable to USB type-C
power supply	central power unit for the entire power supply of devices
output power per port	max. 2.4 A
locking system	combination lock
connections	<p>outside:</p> <ul style="list-style-type: none"> - central power supply with protective cap - USB-B terminal for sync - network connector (RJ45) for access point - optional HDMI port <p>inside:</p> <ul style="list-style-type: none"> - 16x USB-A terminal for Flex2Connect - y-adaptor, C14 plug to 1 x IBM port (C5, 3-pin) and 1 x Euro-8 socket (C7, 2-pin, AUX 1) - y-adaptor, C14 plug to 1 x Euro flat plug and 1 x Euro-8 socket (C7, 2-pin, AUX 2)
data of currents	<ul style="list-style-type: none"> - 100 - 240 V - max. 3.6 A - 50/60 Hz
dimensions of pockets	width 25 x depth 220 x height 265 mm
dimensions of notebook compartment	width 25 x depth 300 x height 320 mm
dimensions of other compartments	width 105 x depth 240 x height 300 mm

dimensions in mm



16x pockets for tablet



sync and Charging unit (Switch On / Off)



central power supply with protective cap